

# VC-A50P IP PTZ Camera

**Lumens**<sup>TM</sup>  
Brilliance by Design

The Lumens<sup>TM</sup> VC-A50P HD Pan/Tilt/Zoom (PTZ) IP camera is equipped with a professional 1/2.8 inch image sensor with Full HD 1080p output at 60 fps. It's power supplied through the Power over Ethernet (PoE) providing an economical and easy solution. The superior 20x optical zoom lens, excellent white balance, and exposure mode delivers a clear image even in low light or the extreme contrast of brightness and darkness in a lecture hall.

The VC-A50P has different interfaces like Ethernet, HDMI, and 3G-SDI. It supports live broadcasting with MJPEG, H.264 / SVC format and further more its low-latency is less than 120ms. These features not only allow for simultaneous image outputs, they also result in the best image quality and is compatible with all video equipment. The camera covers a wide shooting angle and achieves high-speed, quiet, and precise positioning with smooth PTZ operations.

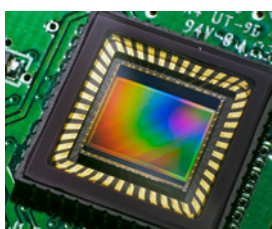
The VC-A50P is applicable for lecture recording, videoconferencing, and live broadcasting.

## Key Features

- Full HD 1080p signal output format with a high frame rate of 60 fps
- 20x optical zoom
- Supports live broadcasting (MJPEG, H.264 support SVC)
- Support POE (Power Over Ethernet) lets network cables supply power
- Supports ONVIF protocol
- Ethernet low latency ( < 120 ms)
- Ethernet, HDMI, and 3G-SDI synchronous image outputs
- Maximum horizontal/vertical speed of rotation: 120 degrees/second
- Audio Input Support AAC encoding with 44.1/48 K sampling frequency
- Built-in image flip and mirror function for easy installation
- Free Lumens VMS software for controlling the cameras remotely



## More Details



### Image Quality

The VC-A50P is equipped with a professional 1/2.8 inch image sensor with Full HD 1080p output resolution. The sensor provides high color reproduction, high-definition signals, and crystal-clear image quality.



### Ethernet Interface

The VC-A50P supports MJPEG and H.264 / SVC video compression format that can reduce the bandwidth for transmitting video. This technology can decrease hard disk space when recording.

### Easy Installation

Power supplied through the PoE+ (Power over Ethernet) without additional power supply and cables that bring cost-effective and simple installation.



### Wide Range Pan/Tilt/Zoom Action

The VC-A50P has a wide shooting area (pan angle from -170° to +170° ; tilt angle from -30° to +90°), as well as quiet, fast, and precise positioning movements.



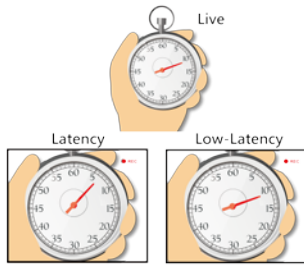
## Multiple Signal Interface Formats

The VC-A50P is able to switch video output formats to Full HD for compatibility in various display devices.



## Audio Input Support

The VC-A50P supports stereo audio input and AAC encoding transmission through the Internet, SDI and HDMI to extend the distance of the audio device. Through this transmission, sound quality is enhanced and installation costs are reduced.



## Ethernet Low-Latency

The VC-A50P supports low-latency and the fast response time is less than 120 ms that allows human-unnoticeable delays between live image and its output on the screen.



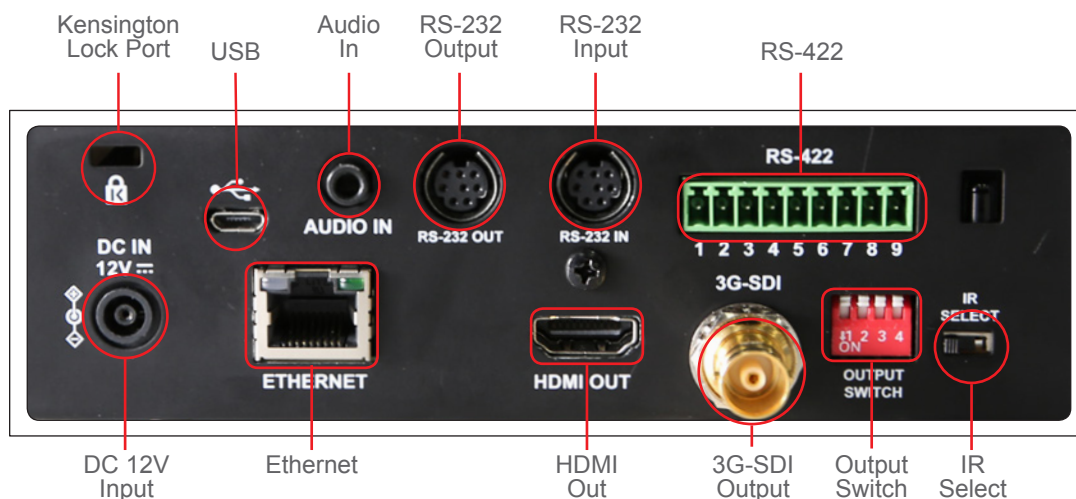
## RS-232/422 Remote Control

The camera's settings and PTZ control functions can be performed remotely at any location and at high communication speeds via the RS-232/422 interface.

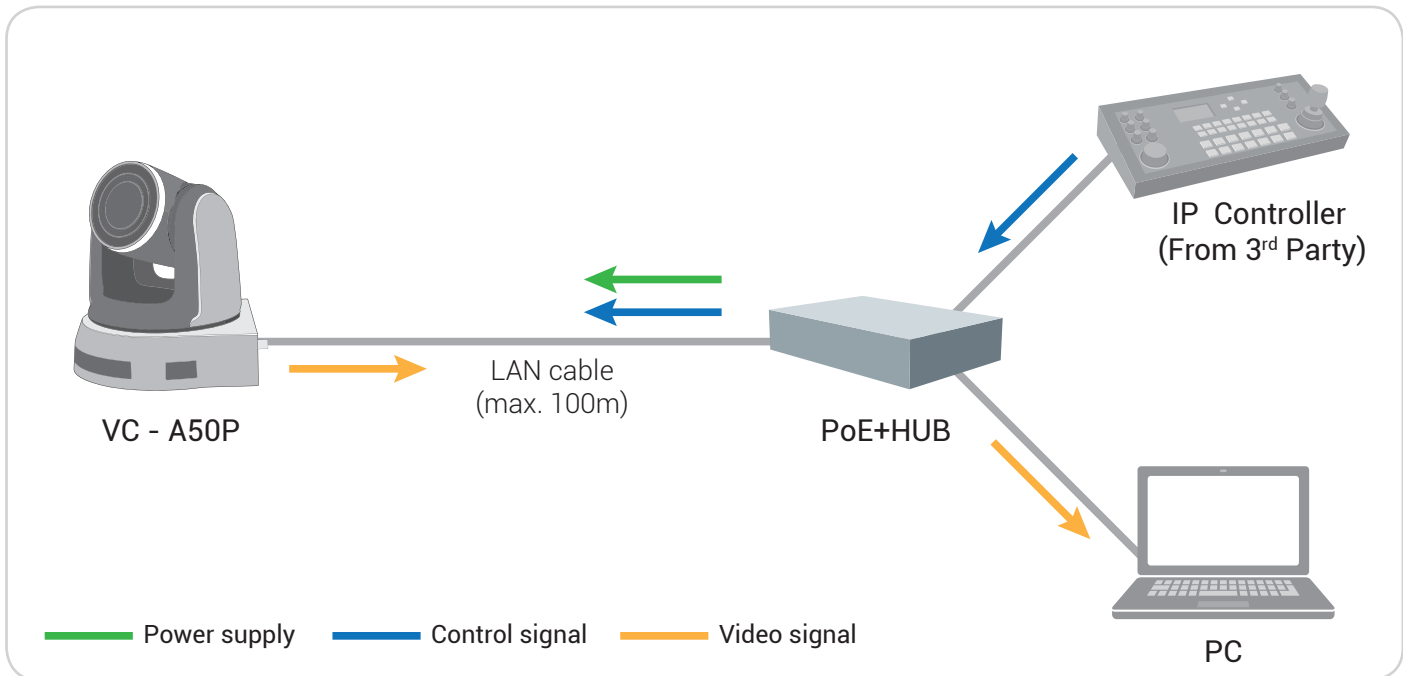
## Product Specifications

<b>Sensor</b>	1/2.8" 2MP CMOS	<b>3D NR</b>	Yes
<b>Video Output</b>	1080p 60 / 59.94 / 50 fps, 1080i 60 / 59.94 / 50 fps, 1080p 30 / 29.97 / 25 fps, 720p 60 / 59.94 / 50 fps,	<b>Horizontal Viewing Angle</b>	63°
<b>Optical Zoom</b>	20x	<b>Aperture</b>	F1.6 ~ F3.5
<b>Panning Angle</b>	-170° ~ +170°	<b>Minimum Illumination</b>	1.0 lux (F1.6, 50IRE, 30fps)
<b>Tilting Angle</b>	-30° ~ +90°	<b>Minimum Object Distance</b>	1.2m
<b>Preset Positions</b>	128	<b>Gain Control</b>	Auto, manual
<b>Video Output(HD) Interface</b>	3G-SDI, HDMI, Ethernet	<b>White Balance</b>	Auto, indoor, outdoor, one-push, manual
<b>Network Interface</b>	ONVIF / RTSP Streaming RTMP Streaming	<b>Exposure Control</b>	Auto, manual
<b>PoE</b>	PoE+ (IEEE802.3at)	<b>Focus System</b>	Auto, manual
<b>Camera Control Interface/Protocol</b>	RS-232 / RS-422 / Ethernet	<b>Image Flip</b>	Yes
<b>Video S/N Ratio</b>	> 50dB	<b>Audio Input</b>	MIC / Line In
<b>Shutter Speed</b>	1/1 ~ 1/10,000 sec	<b>Audio Output</b>	Ethernet, SDI and HDMI
<b>Focal Length</b>	f = 4.7 ~ 94 mm	<b>Weight</b>	2 kg (4.4 lbs)
		<b>Dimensions (W x D x H)</b>	174 x 186 x 187mm (6.9" x 7.3" x 7.3")
		<b>Video Compression</b>	MJPEG, H.264 / SVC

## I/O CONNECTIONS



## Single Camera Connection



## Multi-Camera Connection

