

VC-A51S 20x PTZ Camera

LumensTM
Brilliance by Design

The Lumens™ VC-A51S HD Pan/Tilt/Zoom (PTZ) camera is equipped with a professional 1/2.8 inch image sensor with Full HD 1080p output resolution and a high dynamic image quality of 60 fps. The superior 20x optical zoom lens with professional noise reduction and wide dynamic range technology delivers a clear image even in low light, backlight or the extreme contrast of brightness and darkness in a room.

The camera utilizes a highly efficient motor controller to achieve high-speed, quiet and precise positioning movements. The VC-A51S supports 3G-SDI, DVI-I interfaces allowing two simultaneous image outputs with the best possible image quality and is compatible with all video equipment. The VC-A51S is applicable for lecture capture, videoconferencing and broadcasting systems.

Key Features

- Dual color option for different kinds of environments
- With professional noise reduction technology a clear image is delivered
- Supports Wide Dynamic Range (WDR) to provide a vivid image even under backlighting
- Full HD 1080p with 60 fps
- Supports manual white balance function for a complex lighting environment
- 240 times variable zoom ratio (20x optical zoom with 12x digital zoom)
- 3G-SDI, DVI-I synchronous image output
- Maximum horizontal/vertical speed of rotation: 300° / sec
- Wide Pan/Tilt/Zoom mechanism:
Horizontal viewing angle: -170° to +170°
Tilting angle up to 90°, and down to -30°
- Compatible with major videoconferencing and lecture capture codec



More Details

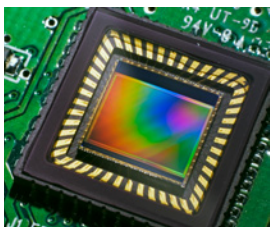


Image Quality

Equipped with a professional 1/2.8 inch image sensor with Full HD 1080p output resolution providing high color reproduction, high definition, and a crystal-clear image.



Advanced Image Processing

The advanced AF/AE/AWB algorithm and circuit design ensures a pristine image during the pan, tilt, zoom & capture function.



Wide Range Pan/Tilt/Zoom Action

The high efficient DC motor, servo control a wide shooting area (pan angle: from -170° to +170° ; tilt angle from -30° to +90°), as well as quiet, fast, and precise positioning movements.



Multiple Signal Formats

VC-A51S is able to switch video output formats to Full HD for compatibility in various display devices.



3G-SDI Interface

Supports 3G-SDI standard interface for transmitting uncompressed digital video signal without any delay, and the transmission distance is up to 150 meters.



128 Preset Positions

Up to 128 preset settings for pan, tilt, zoom, focus, exposure and white balance modes make videoconferencing effective and efficient.

RS-232/422 Remote Control



Camera settings and PTZ control functions to be performed remotely at any location and at high communication speeds via the RS-232/422 interface.



Image Flip

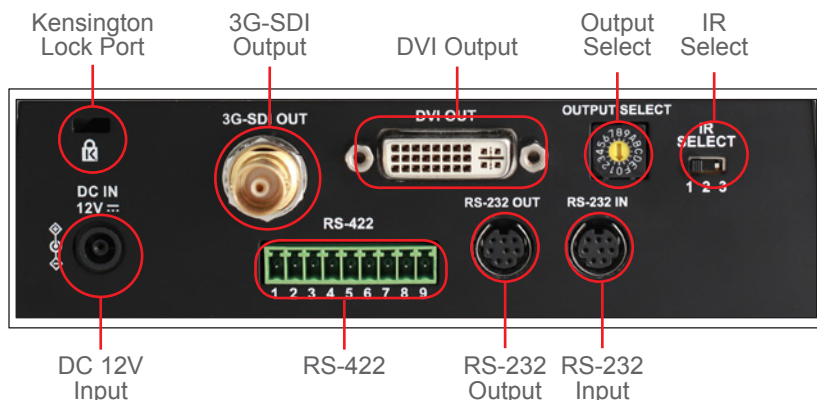
Built-in image flip and mirror function allows various installations on a desktop or wall mount depending on the users preference.

Product Specifications

Sensor	1/2.8" 2 MP CMOS
Video Output	1080p 60 / 59.94 / 50 fps, 1080i 60 / 59.94 / 50 fps, 1080p 30 / 29.97 / 25 fps, 720p 60 / 59.94 / 50 fps, 720p 30 / 29.97 / 25 fps,
Optical Zoom	20x
Panning Angle	-170° ~ +170°
Tilting Angle	-30° ~ +90°
Preset Positions	128
Video Output(HD) Interface	DVI-I, 3G-SDI
Camera Control Interface	RS-232 / RS-422
Video S/N Ratio	> 50dB
Shutter Speed	1/1 ~ 1/10,000 sec

Focal Length	f = 4.7 ~ 94 mm
Horizontal Viewing Angle	63°
Aperture	F1.6 ~ 3.5
Minimum Illumination	1.0 lux (F1.6, 50IRE, 30fps)
Minimum Object Distance	1000(Wide) ~ 1500(Tele) mm
Digital Zoom	12x
Gain Control	Auto, manual
White Balance	Auto, indoor, outdoor, one-push, manual, R/B Gain
Exposure Control	Auto, manual
Focus System	Auto, manual
Image Flip	Yes
Weight	2 kg (4.4 lbs)
Dimensions (W x D x H)	174 x 186 x 187 mm (6.9" x 7.3" x 7.3")

I/O CONNECTIONS



Optional Accessory

The VC-AC06 / AC07 cable extender allows users to extend the distance between the computer / keyboard controller and camera up to 300 ft (100 meters) via the RJ45 CAT5/6 cable. The VC-AC07 also supports the daisy-chain style to link up to seven cameras.



VC-AC06



VC-AC07

LumensTM
Brilliance by Design
www.MyLumens.com

Lumens Integration, Inc.
4116 Clipper Court
Fremont, CA 94538
Phone : 888.542.3235
Fax : 510.252.1389

Lumens Europe
Stationstraat 5
1730 Asse, Belgium
Phone : +32 (0) 2 452 76 00
Fax : +32 (0) 2 452 76 00